



Model Number:  
KTS04-TB  
KTS04-TC  
KTS04-TO

<http://www.luxierusa.com/>

# Installation Guide

Kitchen Series

Single Handle Pull-down Kitchen faucet



Tools you will need:



Adjustable Wrench

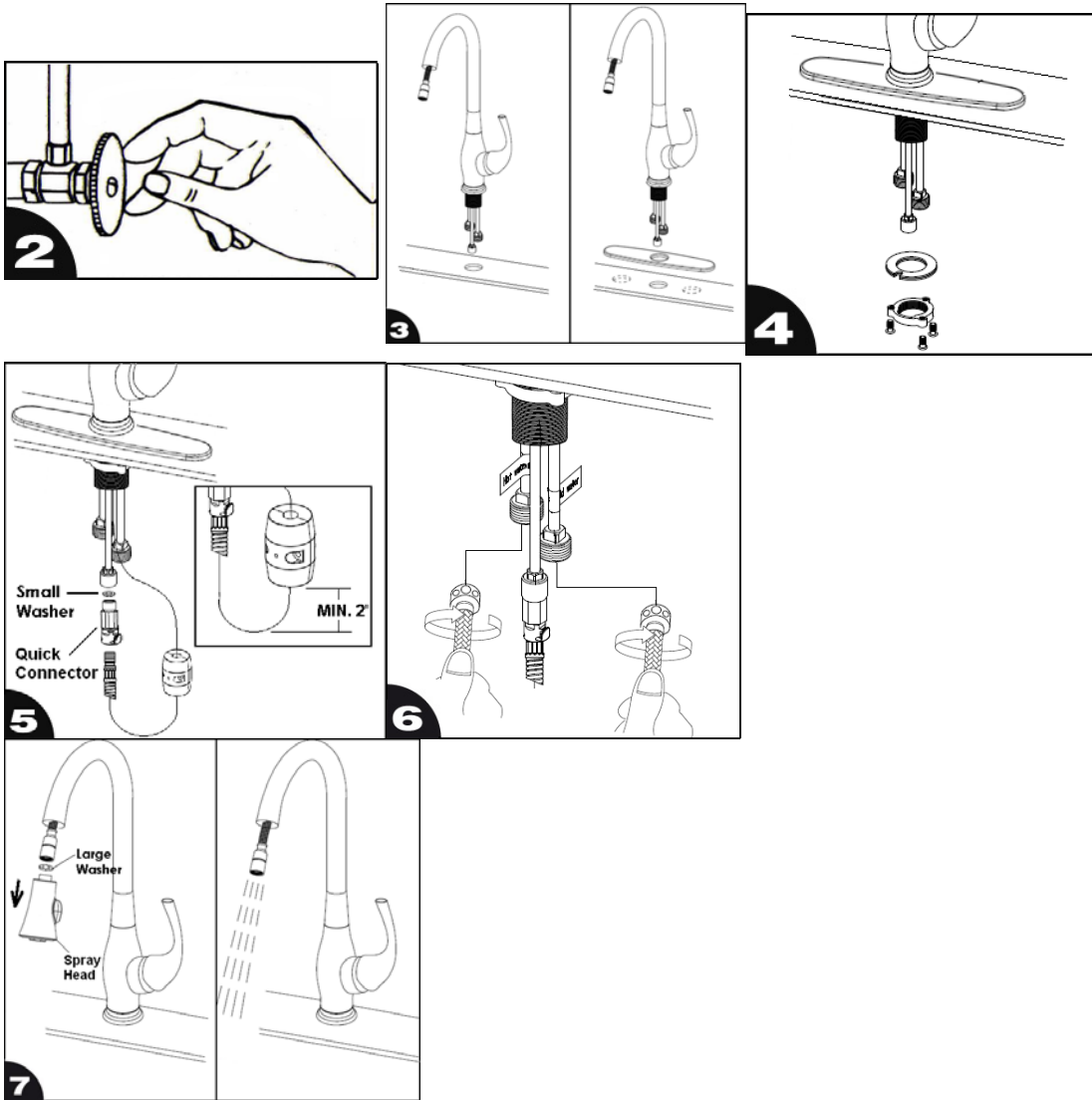


Phillips Screwdriver

## SAFETY TIPS:

- If you use soldering for the installation of the faucet, the seats, cartridges and washers will have to be removed before using flame. Otherwise, warranty will be void on those parts.

## 1. Shut off water supply



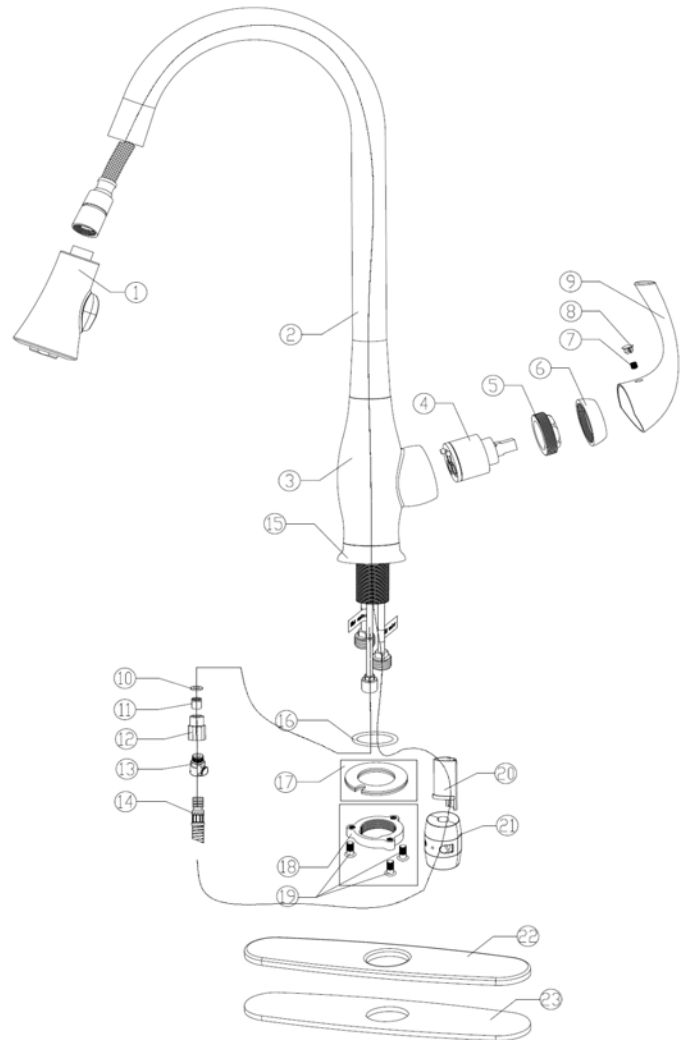
## Trouble-Shooting

If you've followed the instructions carefully and your faucet still does not work properly, take these corrective steps.

<u>Problem</u>	<u>Cause</u>	<u>Action</u>
-Leaks underneath handle  -Aerator leaks or has an inconsistent water flow pattern	-Retainer nut has come loose. O-ring is dirty or damaged  -Aerator is dirty or mis-fitted.	Tighten the retainer nut, clean or replace O-ring  -Unscrew aerator remove any debris, check seating of rubber seal then re-assemble aerator

## Replacement Parts

No	Description	Part No.
1	Spray Head	RP281401
2	Spout	RP281402
3	Body	RP281403
4	Cartridge	RP281404
5	Cartridge Locknut	RP281405
6	Bonnet	RP281406
7	Screw-1	RP281407
8	Plug	RP281408
9	Handle	RP281409
10	Small Washer	RP281410
11	Quick Connector (Component 1)	RP281411
12	Quick Connector (Component 2)	RP281412
13	Quick Connector (Component 3)	RP281413
14	Pullout Hose	RP281414
15	Intergraded Base	RP281415
16	O-ring	RP281416
17	Rubber/Metal Washer	RP281417
18	Locknut	RP281418
19	Locknut Screw	RP281419
20	Sleeve	RP281420
21	Weight	RP281421
22	Face Plate	RP281422
23	Gasket	RP281423



## Limited Lifetime Warranty

Luxier USA warrants to the original purchaser that its products will be free from defects in workmanship and materials. This warranty does not cover any other labor or service charges associated with the removal, repair, or reinstallation of Luxier products. This express warranty does not apply to products that have been damaged as a result of misuse, abuse, negligence, accident, faulty installation or maintenance practices and/or used in any manner contrary to those recommended by the manufacturer.